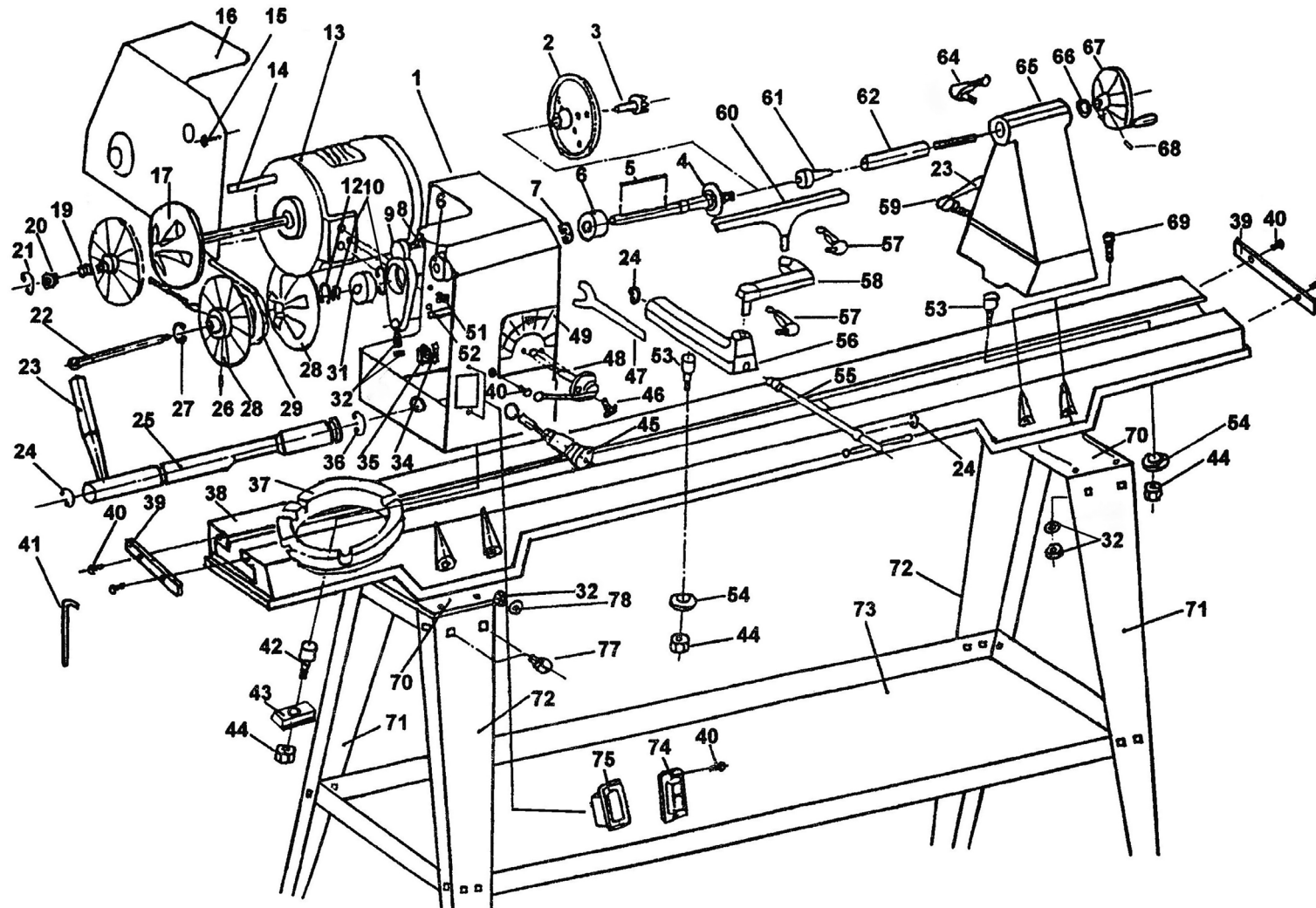


Parts Information:
Wood Lathe 10-Speed 1100mm Centres
Model No: SM1100.V2



NOTE: It is our policy to continually improve products and as such we reserve the right to alter data, specifications and component parts without prior notice.

There may be alternative versions of this product, please contact us should you require this information.

IMPORTANT: No liability is accepted for incorrect use of product. Spare parts must be fitted by a competent person

WARRANTY: Guarantee is 12 months from purchase date, proof of which will be required for any claim.

Jack Sealey Ltd t/a Sealey Group, Kempson Way, Suffolk Business Park, Bury St Edmunds, Suffolk, IP32 7AR UK

Jack Sealey (EU) Ltd t/a Sealey Group, Farney Street, Carrickmacross, Co. Monaghan, A81 PK68 Ireland

Tel: 01284 757500 • Email: sales@sealey.co.uk • Web: www.sealey.co.uk



Parts Information:
Wood Lathe 10-Speed 1100mm Centres
Model No: SM1100.V2

Item	Part No.	Description
1	SM1100.V2-01	Headstock (Blue)
2	SM900/M03	Faceplate
3	SM900/M02	Headstock Spur
4	SM900/M04	Spindle
5	SM900/M05	Key 4 x 4 x 80mm
6	B/6205-2RS	Bearing 6205-2RS
7	SM1100/07	External Circlip ID: 22.0mm
8	SM1100/08	Spring Ø22.6mm
9	SM900/M09	Bracket-Shifting Lever
10	2750LE.P01	Internal Circlip Ø56.6mm
12	SM1100/12	Internal Circlip Ø66.8mm
13	SM1100/13	Motor (External 1 phase 230V 50Hz 550W)
14	SM1100/14	Key
15	SM1100/15	Screw
16	SM1100.V2-16	Motor Cover (Blue)
17	SM900/M29-30	Motor Pulley, Complete
19	SM1100/19	Spring Ø28mm
20	SM1100/20	Sleeve
21	SM900/M41	External Circlip ID:14.6mm
22	SM900/M16	Push-Out Rod
23	SM1100/23	Knob
24	SM1100/24	C-Ring
25	SM1100/25	Eccentric Rod
26	GSM610.S	Grub Screw M6 x 10mm
27	SM1100/27	External Circlip ID: 23.0mm
28	SM900/M12-14	Spindle Pulley, Complete
29	V/M24	V-belt (ID-600) M24
31	B/6007-2RS	Bearing 6007-2RS
32	SN8.S	Steel Nut M8
34	SM1100/34	Clamp
35	SN4.S	Steel Nut M4
36	SM1100/36	C-Ring
37	SM1100/37	Turning Base
38	SM1100.V2-38	Bed (Blue)
39	SM1100/39	Baffle
40	SM1100/40	Screw

Item	Part No.	Description
41	SM1100/41	Hex Wrench Set
42	SM1100/42	Ring Bolt M18 x 80mm
43	SM1100/43	Clamp (A)
44	SN18.S	Steel Nut M18
45	SM1100/45	Angular Setting Assembly
46	SM1100/46	Screw
47	SM1100/47	Spindle Wrench
48	SM900/M21	Gear Assembly
49	SM1100/49	Speed Label
51	SM1100/51	Hex Screw
52	SM1100/52	Back
53	SM900/M42	Bolt M18 x 51mm
54	SM900/M43	Clamp
55	SM900/M40	Eccentric Rod
56	SM900/M39	Tool Rest Body
57	SM900/M37	Handle Assembly
58	SM900/M38	Extension Tool Rest
59	SM1100/59	Lock Handle - Tail Stock
60	SM1100/60	Tool Rest
61	SM1100/61	Tailstock Lock
62	SM900/M47	Tail Stock Screw
64	SM1100/64	Handle Assembly
65	SM1100.V2-65	Tail Stock (Blue)
66	SM1100/66	Washer
67	SM900/M49	Handle Wheel
68	GSM812.S	Grub Screw M8 x 12mm
69	SCB840.SB	Socket Cap Bolt M8 x 40mm Black
70	SM1100/70	Stand Upper Cover
71	SM1100/71	Stand Leg (1)
72	SM1100/72	Stand Leg (2)
73	SM1100/73	Tool Table
74	SM46C/16	Switch, Press Button KJD22 250V AC 12A
75	SM900/M68	Switch Housing
77	SM900/M60	Cup Head Square Neck Bolt M8 x 13mm
78	SM900/M61	Washer-Stand
--	SM1100/76	Power Cord (Not Shown)

NOTE: It is our policy to continually improve products and as such we reserve the right to alter data, specifications and component parts without prior notice. There may be alternative versions of this product, please contact us should you require this information.

IMPORTANT: No liability is accepted for incorrect use of product. Spare parts must be fitted by a competent person

WARRANTY: Guarantee is 12 months from purchase date, proof of which will be required for any claim.

Jack Sealey Ltd t/a Sealey Group, Kempson Way, Suffolk Business Park, Bury St Edmunds, Suffolk, IP32 7AR UK

Jack Sealey (EU) Ltd t/a Sealey Group, Farney Street, Carrickmacross, Co. Monaghan, A81 PK68 Ireland

Tel: 01284 757500 · **Email:** sales@sealey.co.uk · **Web:** www.sealey.co.uk